

MHC-C



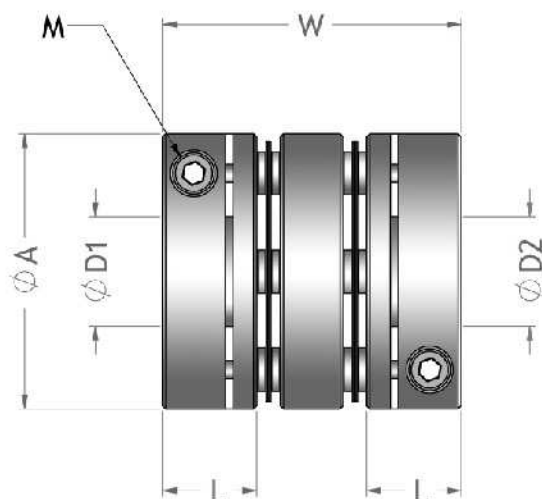
Features

- Disk type flexible coupling
- Stainless steel disks absorb parallel, angular and shaft end-play misalignments
- Identical clockwise and counter-clockwise rotational characteristics
- Suitable to small servo system exact transmission.
- Low moment of inertia backlash-free.
- Finished products featuring two different end bore diameters available in stock
- Clamp type.
- MHC-C Body : Extra Super Duralumin.

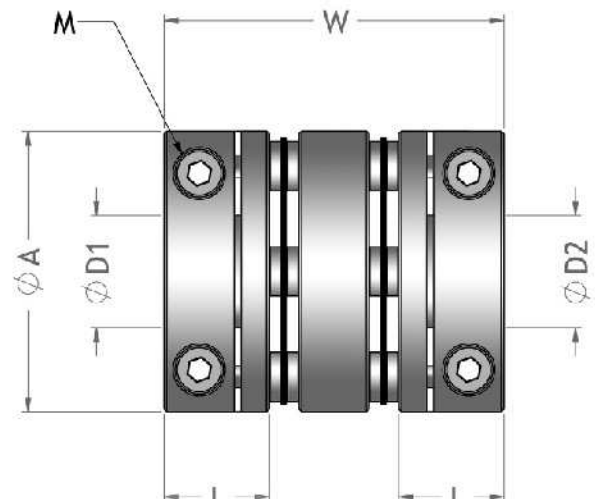
特性

- 簧片式撓性聯軸器。
- 雙組不銹鋼簧片可容許偏心、偏角反軸向偏差。
- 順、逆時針迴轉特性完全相同。
- 適於中小型伺服馬達精密定位傳動。
- 低慣性、無背隙。
- 兩端不同孔徑的產品標準化。
- 夾鉗螺絲型固定。
- MHC-C 本體：鋁合金材質。

Clamp type



MHC-27C-35C



MHC-40C-95C

Specifications

unit : mm

Product No 產品名稱	Rated Torque 常用扭矩 (N.m)	Max. Torque 最大扭矩 (N.m)	Max. Rotational Frequency 最高迴轉數 (min ⁻¹)	Moment* Of Inertia 慣性 (kg.m ²)	Error of Eccentricity 容許偏心量 (mm)	Error of Angularity 容許角偏差 (°)	Error of Shaft End-play 容許軸向偏差 (mm)	Mass** 質量 (g)
MHC-27C	1.8	3.6	10000	4.7x10 ⁻⁶	0.15	2°	±0.33	45.0
MHC-35C	4.0	8.0	10000	1.4x10 ⁻⁵	0.17	2°	±0.4	77.0
MHC-40C	7.0	14.0	10000	3.1x10 ⁻⁵	0.22	2°	±0.5	134.0
MHC-45C	10.0	20.0	10000	4.8x10 ⁻⁵	0.22	2°	±0.6	160.0
MHC-50C	16.0	32.0	10000	9.8x10 ⁻⁵	0.24	2°	±0.7	265.0
MHC-57C	26.0	52.0	10000	16.2x10 ⁻⁵	0.27	2°	±0.8	337.0
MHC-68C	62.0	124.0	10000	40.0x10 ⁻⁵	0.35	2°	±0.9	570.0
MHC-82C	100.0	200.0	10000	11.5x10 ⁻⁴	0.55	2°	±1.2	1163.0
MHC-95C	180.0	360.0	10000	20.7x10 ⁻⁴	0.55	2°	±1.3	1512.0

> Ma x. Bore Moment of Inertia / 最大孔徑時慣性矩

> Max. Bore Mass / 最大孔徑時質量

Dimension

unit : mm

Product No 產品名稱	A	L	W	Stock Bores 標準孔徑 D1xD2(公差 H8)		M
				Min D1	Max D2	
				MHC-27C	27	
MHC-35C	35	12	38	6	14	2-M3
MHC-40C	40	15	48	8	16	4-M4
MHC-45C	45	15	48	10	20	4-M4
MHC-50C	50	20	62	12	22	4-M5
MHC-57C	57	20	62	12	25	4-M5
MHC-68C	68	24	74	14	32	4-M6
MHC-82C	82	30	98	19	35	4-M8
MHC-95C	95	30	98	22	45	4-M8

When Ordering

請依照型錄所制訂的產品規格訂購，兩側孔徑可依客戶需在規範內加工製作。

When placing an order, make sure to include product no.

And stock bores (both sides) of product.

MHC - 68C - ø16 x ø22

Product No D1 x D2