

MSA



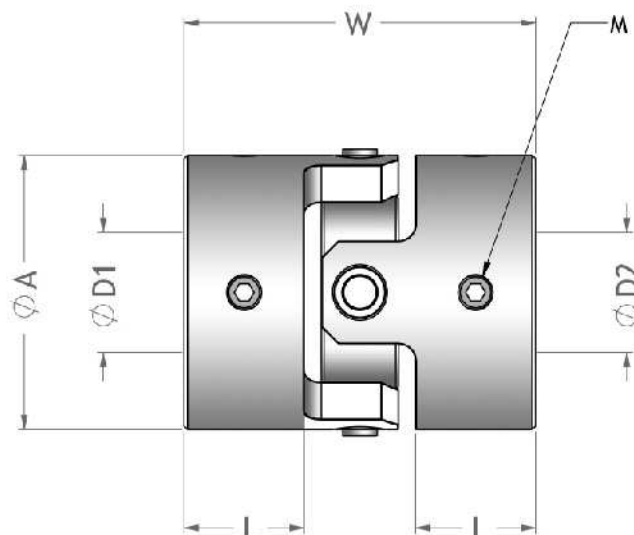
Features

- Slippage between the bush and pin allows for parallel and angular misalignments.
- Minimized backlash achieved through high precision fit of pin and bush.
- Minimized load on shaft caused by misalignments.
- Identical clockwise and counter-clockwise rotational characteristics.
- Finished products featuring two different end bore diameters available in stock.
- Setscrew type.
- MSA body : Aluminum alloy.

特性

- 軸套和間隔塊的滑動作用，可容許較大的偏心和偏角。
- 固定銷和襯套的高精密嚙合使背隙最小化。
- 偏差所引起的軸心負荷小，可減輕軸心負擔。
- 順、逆時針迴轉特性完全相同。
- 兩端不同孔徑的產品標準化。
- 止付螺絲型固定。
- MSA 本體：鋁合金材質。

Setscrew type



Specifications

unit : mm

| Product No 產品名稱 | Rated Torque 常用扭矩 (N.m) | Max. Torque 最大扭矩 (N.m) | Max. Rotational Frequency 最高迴轉數 (min ⁻¹) | Moment* Of Inertia 慣性 (kg.m ²) | Error of Eccentricity 容許偏心率 (mm) | Error of Angularity 容許角偏差 (°) | Error of Shaft End-play 容許軸向偏差 (mm) | Mass** 質量 (g) |
|--------------------|-------------------------------|------------------------------|--|---|--|---------------------------------------|---|---------------------|
| MSA-25 | 1.2 | 2.4 | 6100 | 3.4x10 ⁻⁶ | 0.5 | 3° | - | 42 |
| MSA-32 | 3.0 | 6.0 | 4800 | 1.1x10 ⁻⁵ | 0.5 | 3° | - | 83 |
| MSA-40 | 6.0 | 12.0 | 3800 | 3.2x10 ⁻⁵ | 0.5 | 3° | - | 155 |
| MSA-50 | 10.0 | 20.0 | 3100 | 9.9x10 ⁻⁵ | 0.5 | 3° | - | 306 |

> Max. Bore Moment of Inertia / 最大孔徑時慣性矩

> Max. Bore Mass / 最大孔徑時質量

Dimension

unit : mm

| Product No 產品名稱 | A | L | W | Stock Bores 標準孔徑 D1xD2(公差 H8) | | M |
|--------------------|----|------|----|-------------------------------------|--------|------|
| | | | | Min D1 | Max D2 | |
| MSA-25 | 25 | 11.5 | 34 | 6 | 10 | 4-M4 |
| MSA-32 | 32 | 14 | 41 | 8 | 14 | 4-M4 |
| MSA-40 | 40 | 16.5 | 48 | 10 | 16 | 4-M5 |
| MSA-50 | 50 | 21.5 | 60 | 12 | 20 | 4-M6 |

When Ordering

請依照型錄所制訂的產品規格訂購，兩側孔徑可依客戶需在規範內加工製作。

When placing an order, make sure to include product no.

And stock bores (both sides) of product.

MSA - 25 - ø 8 x ø 10

Product No D1 x D2