

XHCA-C



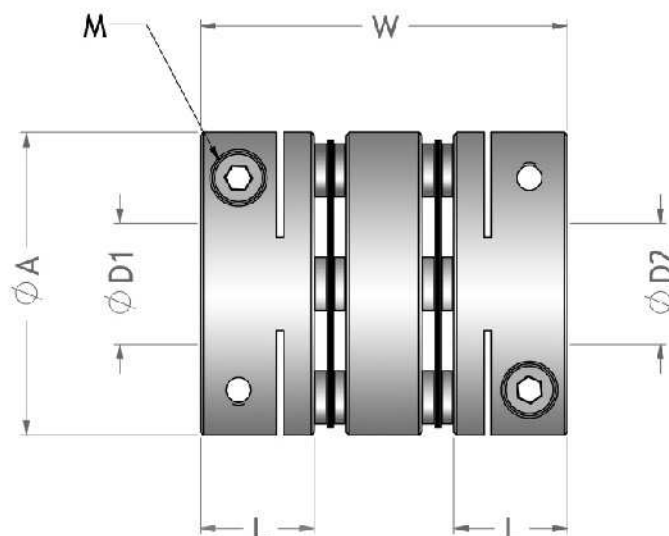
Features

- Disk type flexible coupling
- Stainless steel disks absorb parallel, angular and shaft end-play misalignments
- Identical clockwise and counter-clockwise rotational characteristics
- Suitable to small servo system exact transmission.
- Low moment of inertia backlash-free.
- Finished products featuring two different end bore diameters available in stock
- Clamp type.
- XHCA-C Body : Extra Super Duralumin.

特性

- 簧片式撓性聯軸器。
- 雙組不銹鋼簧片可容許偏心、偏角反軸向偏差。
- 順、逆時針迴轉特性完全相同。
- 適於中小型伺服馬達精密定位傳動。
- 低慣性、無背隙。
- 兩端不同孔徑的產品標準化。
- 夾鉗螺絲型固定。
- XHCA-C 本體：鋁合金材質。

Setscrew type



Specifications

unit : mm

Product No 產品名稱	Rated Torque 常用扭矩 (N.m)	Max. Torque 最大扭矩 (N.m)	Max. Rotational Frequency 最高迴轉數 (min ⁻¹)	Moment* Of Inertia 慣性 (kg.m ²)	Error of Eccentricity 容許偏心量 (mm)	Error of Angularity 容許角偏差 (°)	Error of Shaft End-play 容許軸向偏差 (mm)	Mass** 質量 (g)
XHCA-27C	2.5	5.0	23000	4.5x10 ⁻⁶	0.2	2°	±0.4	39.0
XHCA-35C	5.0	10.0	18000	1.4x10 ⁻⁵	0.25	2°	±0.4	75.0
XHCA-40C	9.0	18.0	16000	3.0x10 ⁻⁵	0.3	2°	±0.6	125.0
XHCA-45C	12.0	24.0	14000	4.8x10 ⁻⁵	0.3	2°	±0.6	155.0
XHCA-50C	18.0	36.0	12000	9.9x10 ⁻⁵	0.3	2°	±0.6	257.0
XHCA-57C	26.0	52.0	11000	16.5x10 ⁻⁵	0.3	2°	±0.8	330.0
XHCA-68C	62.0	124.0	10000	40.0x10 ⁻⁵	0.3	2°	±0.8	554.0

> Ma x. Bore Moment of Inertia / 最大孔徑時慣性矩

> Max. Bore Mass / 最大孔徑時質量

Dimension

unit : mm

Product No 產品名稱	A	L	W	Stock Bores 標準孔徑 D1xD2(公差 H8)		M
				Min D1	Max D2	
XHCA-27C	27	11	35	5	14	4-M3
XHCA-35C	35	12	38	6	16	4-M3
XHCA-40C	40	15	48	8	20	4-M4
XHCA-45C	45	15	48	8	22	4-M4
XHCA-50C	50	20	62	10	25	4-M5
XHCA-57C	57	20	62	12	28	4-M5
XHCA-68C	68	24	74	14	35	4-M6

When Ordering

請依照型錄所制訂的產品規格訂購，兩側孔徑可依客戶需在規範內加工製作。

When placing an order, make sure to include product no.

And stock bores (both sides) of product.

XHCA-40C - ø10 x ø12

Product No D1 x D2